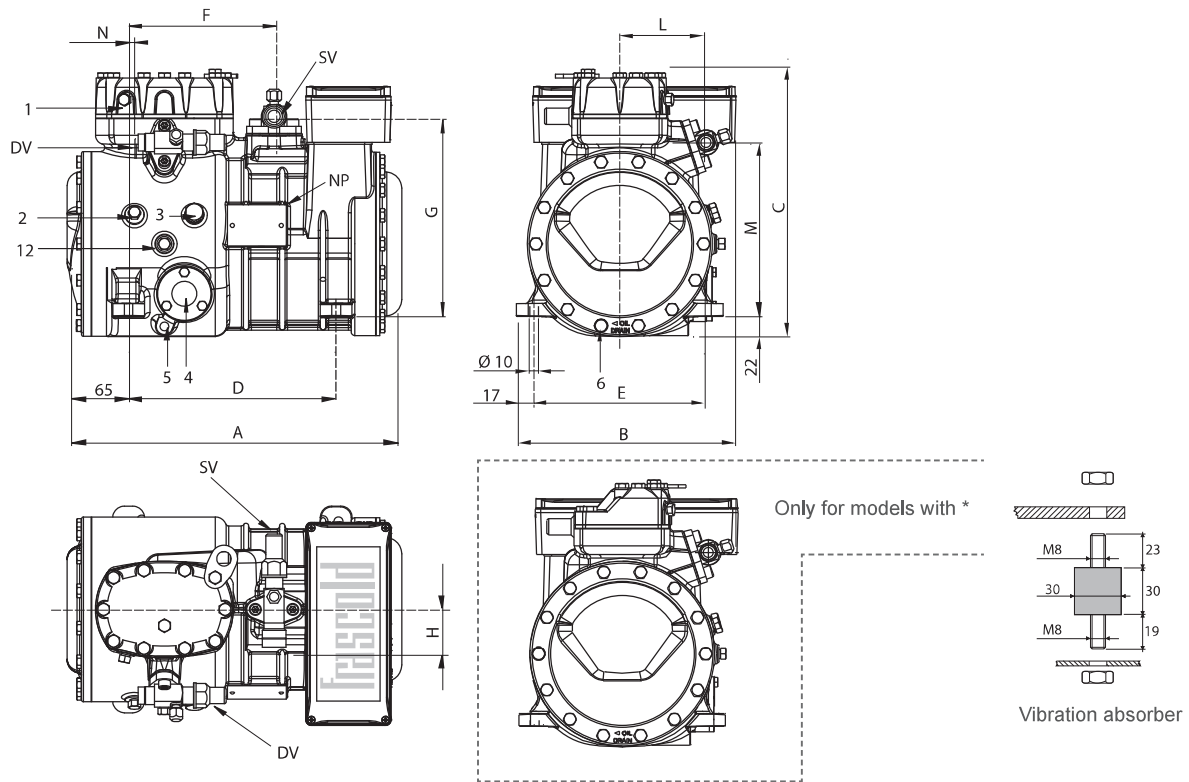


## Dimensional drawing

Series **D**



1	High pressure plug	1/8" NPT
2	Low pressure plug	1/8" NPT
3	Oil charge plug	1/4" GAS
4	Oil level sight glass	
5	Crankcase heater seat	
6	Oil drain plug	M8 x 22 ISO4017
12	Oil return plug	1/8" NPT
DV	Discharge valve	
SV	Suction valve	
NP	Nameplate	

Compressor	Valves				Valves position						Compressor				
	Suction		Discharge		Suction			Discharge			Length	Width	Height	Base mounting	
	Ø	Ø	Ø	Ø	F	G	H	L	M	N	A	B	C	D	E
D2-11.1Y*	7/8	22,2	5/8	15,8	165	221	42	94	192	13	369	242	294	234	194
D2-13.1Y*	7/8	22,2	5/8	15,8	165	221	42	94	192	13	369	242	294	234	194
D3-13.1Y	1 1/8	28,6	5/8	15,8	165	225	53	94	192	13	374	242	317	234	194
D2-15.1Y*	7/8	22,2	5/8	15,8	165	221	42	94	192	13	369	242	294	234	194
D3-15.1Y	1 1/8	28,6	5/8	15,8	165	225	53	94	192	13	374	242	317	234	194
D3-16.1Y	1 1/8	28,6	5/8	15,8	165	225	53	94	192	13	374	242	317	234	194
D4-16.1Y	1 1/8	28,6	3/4	19,0	165	225	53	94	192	5	401	242	317	234	194
D3-18.1Y	1 1/8	28,6	5/8	15,8	165	225	53	94	192	13	374	242	317	234	194
D4-18.1Y	1 1/8	28,6	3/4	19,0	165	225	53	94	192	5	401	242	317	234	194
D3-19.1Y	1 1/8	28,6	5/8	15,8	165	225	53	94	192	13	374	242	317	234	194
D4-19.1Y	1 1/8	28,6	3/4	19,0	165	225	53	94	192	5	401	242	317	234	194