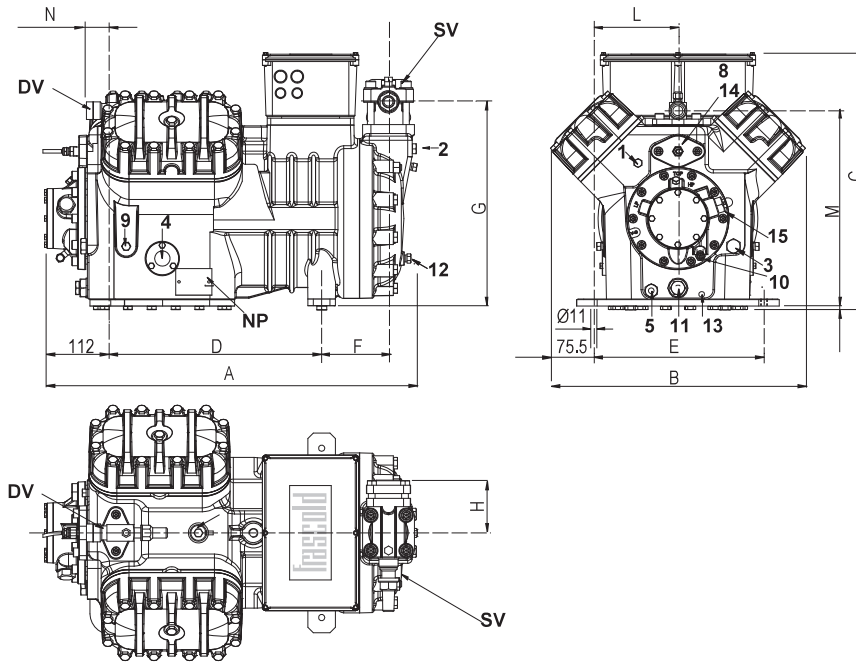


Dimensional drawing

Series **V**



Vibration absorber

1	High pressure plug	1/8" NPT
2	Low pressure plug	1/4" NPT
3	Oil charge plug	3/8" GAS
4	Oil level sight glass	
5	Crankcase heater seat	
7	Liquid injection valve plug	1/8" NPT
8	Liquid injection sensor plug	1/8" NPT
9	Oil pressure switch connection (l.p.)	1/4" NPT
10	Oil pressure switch connection (h.p.)	1/4" SAE
11	Oil filter	
12	Oil return plug	1/8" NPT
13	Oil drain plug	3/8" GAS
14	Max. discharge temperature sensor	
15	Electronic oil pressure switch connection	3/4" UNF
DV	Discharge valve	
SV	Suction valve	
NP	Nameplate	

Compressor	Valves				Valves position						Compressor				
	Suction		Discharge		Suction			Discharge			Length	Width	Height	Base mounting	
	∅	∅	∅	∅	F	G	H	L	M	N				A	B
V15-59E	1 5/8	42,0	1 1/8	28,6	120	367	95	152	352	43	672	460	463	381	305
V15-59Y	1 5/8	42,0	1 1/8	28,6	120	367	95	152	352	43	672	460	463	381	305
V20-59Y	1 5/8	42,0	1 1/8	28,6	120	367	95	152	352	43	672	460	463	381	305
V15-71E	1 5/8	42,0	1 1/8	28,6	120	367	95	152	352	43	672	460	463	381	305
V15-71Y	1 5/8	42,0	1 1/8	28,6	120	367	95	152	352	43	672	460	463	381	305
V25-71Y	2 1/8	54,0	1 3/8	35,0	133	389	130	152	352	48	703	460	463	381	305
V20-84E	2 1/8	54,0	1 1/8	28,6	133	389	130	152	352	48	703	460	463	381	305
V20-84Y	1 5/8	42,0	1 1/8	28,6	120	367	95	152	352	43	672	460	463	381	305
V30-84Y	2 1/8	54,0	1 3/8	35,0	133	389	130	152	352	48	703	460	463	381	305
V25-93Y	2 1/8	54,0	1 3/8	35,0	133	389	130	152	352	48	703	460	463	381	305
V32-93Y	2 1/8	54,0	1 3/8	35,0	158	389	130	152	352	48	743	460	463	381	305
V25-103Y	2 1/8	54,0	1 3/8	35,0	133	389	130	152	352	48	703	460	463	381	305
V35-103Y	2 1/8	54,0	1 3/8	35,0	158	389	130	152	352	48	743	460	463	381	305
V25-103E	2 1/8	54,0	1 3/8	35,0	133	389	130	152	352	48	703	460	463	381	305