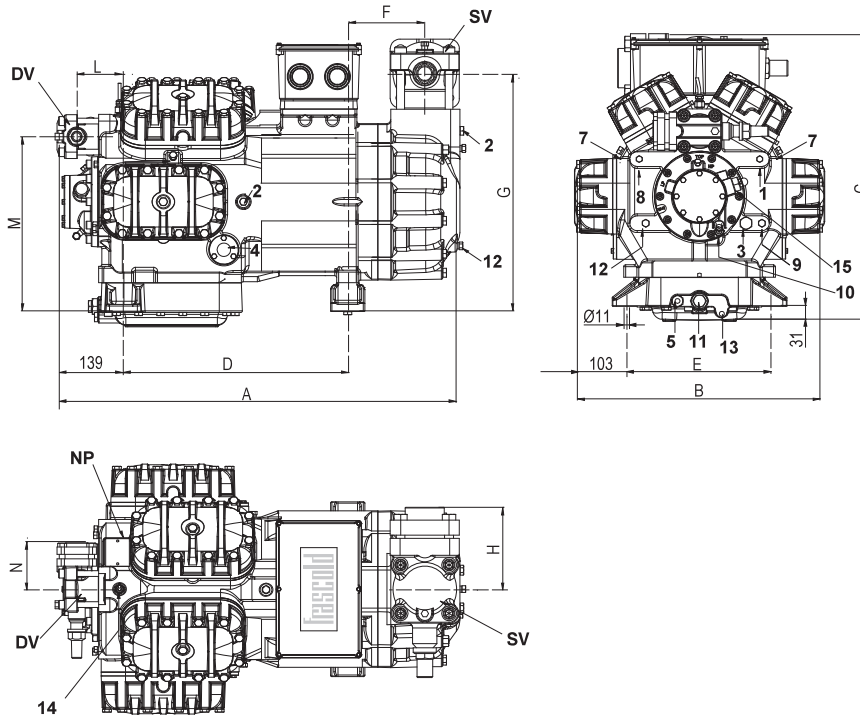


Dimensional drawing

Series **W**



Vibration absorber

1	High pressure plug	1/8" NPT
2	Low pressure plug	1/4" NPT
3	Oil charge plug	3/8" GAS
4	Oil level sight glass	
5	Crankcase heater seat	
7	Liquid injection valve plug	1/8" NPT
8	Liquid injection sensor plug	
9	Oil pressure switch connection (l.p.)	1/4" SAE
10	Oil pressure switch connection (h.p.)	1/4" SAE
11	Oil filter	3/8" GAS
12	Oil return plug	1/4" NPT
13	Oil drain plug	3/8" GAS
14	Max. discharge temperature sensor	
15	Electronic oil pressure switch connection	
DV	Discharge valve	
SV	Suction valve	
NP	Nameplate	

Compressor	Valves				Valves position						Compressor				
	Suction		Discharge		Suction			Discharge			Length	Width	Height	Base mounting	
	Ø	Ø	Ø	Ø	F	G	H	L	M	N	A	B	C	D	E
W40-142Y	2 5/8	67,0	1 5/8	42,0	158	486	160	95	358	95	838	511	588	458	305
W40-168Y	2 5/8	67,0	1 5/8	42,0	158	486	160	95	358	95	838	511	588	458	305
W50-168Y	3 1/8	79,4	1 5/8	42,0	158	486	160	95	358	95	838	511	588	458	305
W50-187Y	3 1/8	79,4	1 5/8	42,0	158	486	160	95	358	95	838	511	588	458	305
W60-187Y	3 1/8	79,4	1 5/8	42,0	158	486	160	95	358	95	838	511	588	458	305
W60-206Y	3 1/8	79,4	2 1/8	54,0	158	486	160	95	358	95	838	511	588	458	305
W70-206Y	3 1/8	79,4	2 1/8	54,0	190	486	160	95	358	162	864	511	588	458	305
W70-228Y	3 1/8	79,4	2 1/8	54,0	190	486	160	95	358	162	864	519	588	458	305
W75-228Y	3 1/8	79,4	2 1/8	54,0	190	486	160	95	358	162	864	519	588	458	305
W75-240Y	3 1/8	79,4	2 1/8	54,0	190	486	160	95	358	162	864	519	588	458	305
W80-240Y	3 1/8	79,4	2 1/8	54,0	190	486	160	95	358	162	864	519	588	458	305